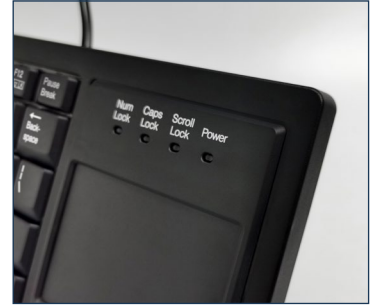


**XTRA SERIES**

KPL-U10120 (WHITE)

KPL-U20120 (BLACK)

**SPECIAL FEATURES**

- Medical and industry keyboard
- Scissor-switch design
- Integrated Clean mode for cleaning
- Integrated Touchpad
- Flat key profile
- Excellent tactile feeling

SPECIFICATION

Number of keys:	83 (US/EU-Layout)	Operating temperature:	0°C ~ +40°C
Keyswitch technology:	Scissor mechanism	Storage temperature:	-40°C ~ +55°C
Switching cycles:	Approx. 5 mill. (per key)	Dimensions:	364.4 (L) x 133.4 (W) x 25 (T) mm
Housing material:	Plastic	Warranty:	2 years
Housing color:	White & black	Certification:	EN60601-1-2 Ed4, CE, FCC EN61000-6-2
Interfaces:	USB	OPTIONAL:	VESA nut 15cm/175cm extension cable
Cable length:	180cm		
Mouse active size:	62 x 46 mm		
Weight:	610+/-10 g		

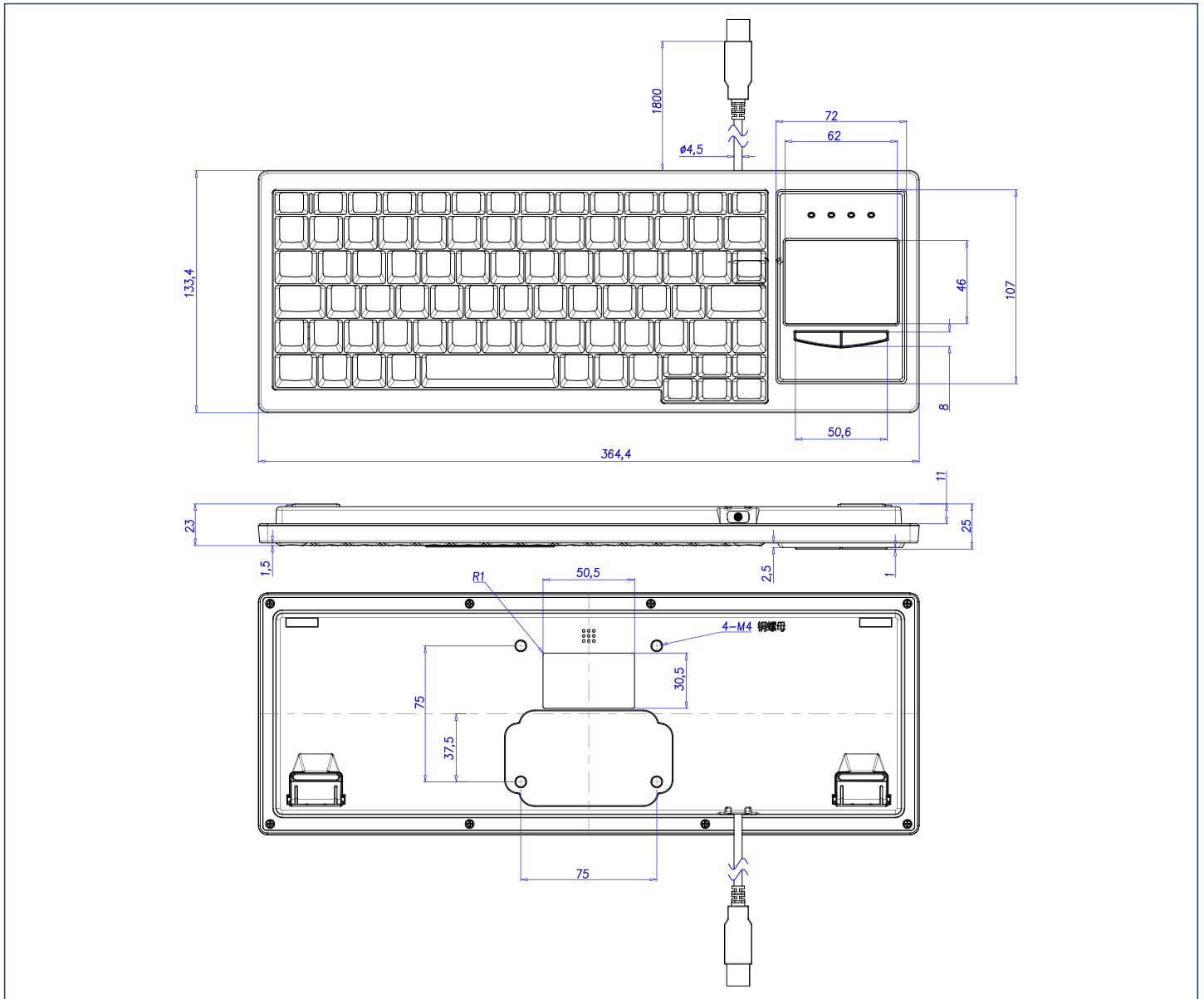
ORDER INFORMATION

Cat. No.	Touchpad	VESA	Cable Length	Material	Color	Layout
KPL-U10120	✓		180cm	Plastic	White	US/DE/JP/KR/FR
KPL-U10121	✓	✓	180cm	Plastic	White	US/DE/JP/KR/FR
KPL-U20120	✓		180cm	Plastic	Black	US/DE/JP/KR/FR
KPL-U20121	✓	✓	180cm	Plastic	Black	US/DE/JP/KR/FR
KPL-U20122	✓		15cm+175cm	Plastic	Black	US/DE/JP/KR/FR

Other layouts, configurations and interfaces on request.



TECHNICAL DRAWING (IN MM)



EN60601-1-2 Ed 4 and EN61000-6-2 CERTIFIED

EN60601-1-2 Ed 4 applies to the basic safety and essential performance of Medical Equipment (ME) equipment and ME systems in the presence of electromagnetic disturbances and to electromagnetic disturbances emitted by ME equipment and Me systems. EN61000-6-2 applies to the industrial equipment.

CLEANING INSTRUCTION

For further details please refer to below link:
<https://gett-group.com/en/gett-service/cleaning-and-material-resistances>