

**XTRA SERIES**

KPL-U20130

**SPECIAL FEATURES**

- Medical and industry keyboard
- Scissor-switch design
- Integrated Clean mode for cleaning
- Integrated Trackball
- Flat key profile
- Excellent tactile feeling

**SPECIFICATION**

Number of keys:	83 (US/EU-Layout)	Operating temperature:	0°C ~ +40°C
Keyswitch technology:	Scissor mechanism	Storage temperature:	-40°C ~ +55°C
Switching cycles:	Approx. 5 mill. (per key)	Dimensions:	364.4 (L) x 133.4 (W) x 30.4 (T) mm
Housing material:	Plastic	Warranty:	2 years
Housing color:	White & black	Certification:	EN60601-1-2 Ed4, CE, FCC EN61000-6-2
Interfaces:	USB	OPTIONAL:	VESA nut 15cm/175cm extension cable
Cable length:	180cm		
Optical trackball:	Dia. 22mm		
Weight:	610+/-10 g		

**ORDER INFORMATION**

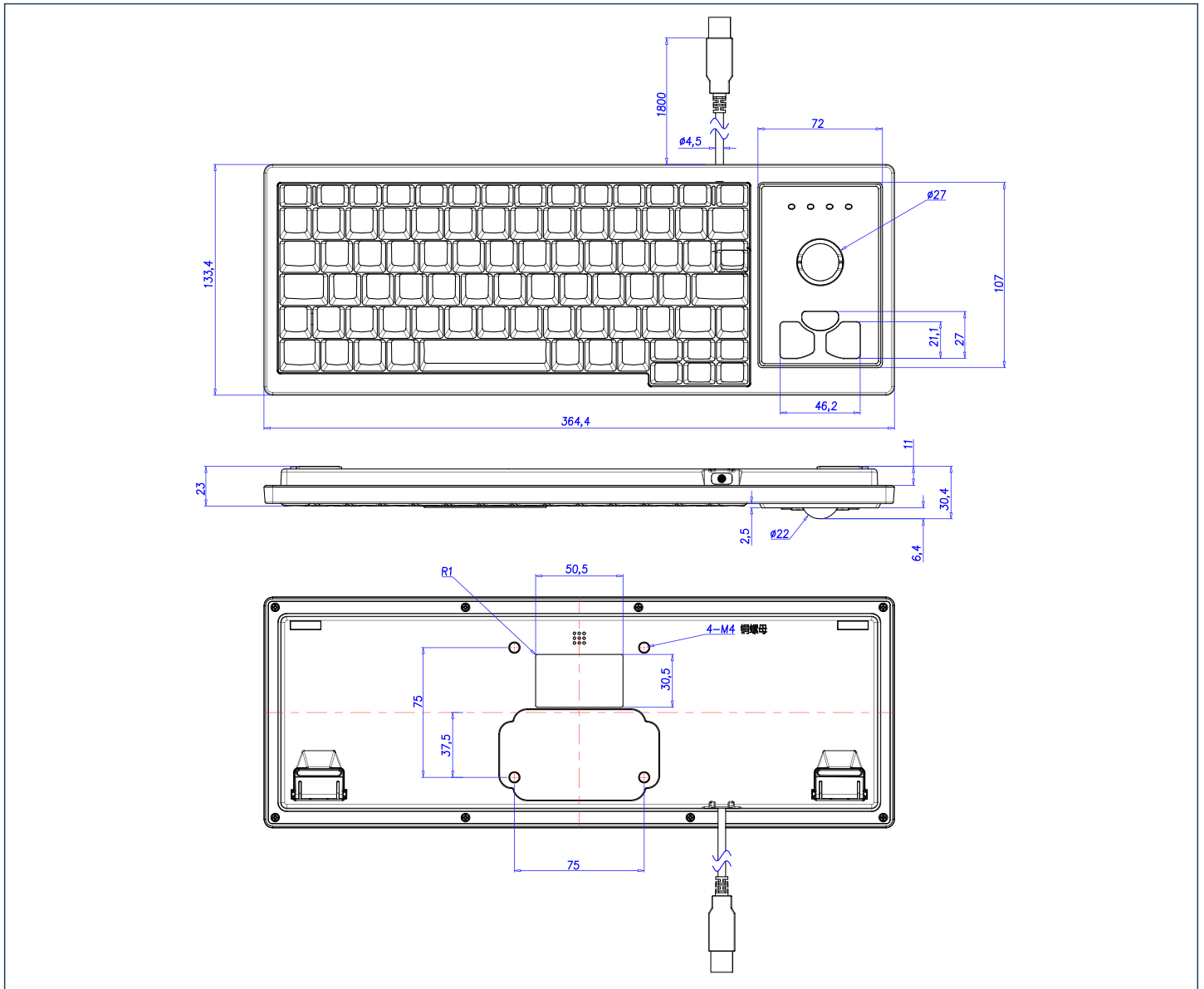
Cat. No.	Trackball	VESA	Cable length	Material	Color	Layout
KPL-U20130	✓		180cm	Plastic	Black	US/DE/JP/KR/FR
KPL-U20131	✓	75*75mm	180cm	Plastic	Black	US/DE/JP/KR/FR
KPL-U10130	✓		180cm	Plastic	White	US/DE/JP/KR/FR
KPL-U10132	✓	75*75mm	15cm+175cm	Plastic	White	US/DE/JP/KR/FR

Other layouts, configurations and interfaces on request.

**GETT Gerätetechnik GmbH**Mittlerer Ring 1  
08233 Treuen  
GermanyTel: +49 37468 660 0  
E-Mail: info@gett-group.com  
Internet: www.gett-group.com**GETT Asia Ltd.**Room 806-7, Kowloon Plaza  
No. 485 Castle Peak Road  
Kowloon, Hong Kong, ChinaTel: +852 3461 9789  
E-Mail: info@gett-asia.com  
Internet: www.gett-asia.com**GETT Assembly (Asia) Co., Ltd.**401 & 501, Building 1, No.97, Fuyong Area 107 Road  
Baishixia Community, Fuyong Street  
Baoan District, Shenzhen, ChinaTel: +86 755 2323 6358  
E-Mail: info@gett-asia.com  
Internet: www.gett-asia.com



TECHNICAL DRAWING (IN MM)



EN60601-1-2 Ed 4 and EN61000-6-2 CERTIFIED

EN60601-1-2 Ed 4 applies to the basic safety and essential performance of Medical Equipment (ME) equipment and ME systems in the presence of electromagnetic disturbances and to electromagnetic disturbances emitted by ME equipment and Me systems. EN61000-6-2 applies to the industrial equipment.

CLEANING INSTRUCTION

For further details please refer to below link:  
<https://gett-group.com/en/gett-service/cleaning-and-material-resistances>